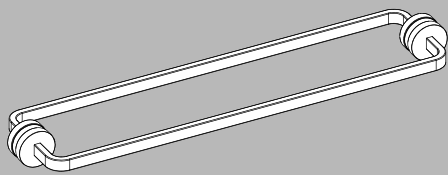


**INSTRUCTIONS FOR MODELS**

**SH-2702**



**NEED HELP?**

For additional assistance or service please contact:

**SPEAKMAN®**

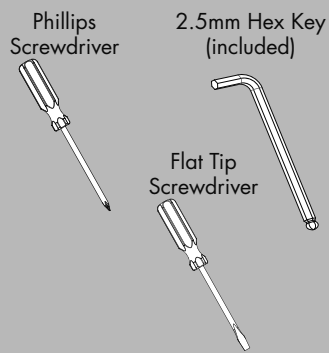
800-537-2107

customerservice@speakman.com

www.speakman.com

92-SH-2702-01

**TOOLS AND SUPPLIES**



**IMPORTANT**

- Do not over-tighten any connections or damage may occur.
- Be sure to read instructions thoroughly before beginning installation.
- Glass Shower Door as shown here in the Installation Steps and Rough-In Diagram is for reference only and is not included with the product.

**SAFETY TIPS**

Cover the drain to prevent any loss of parts.

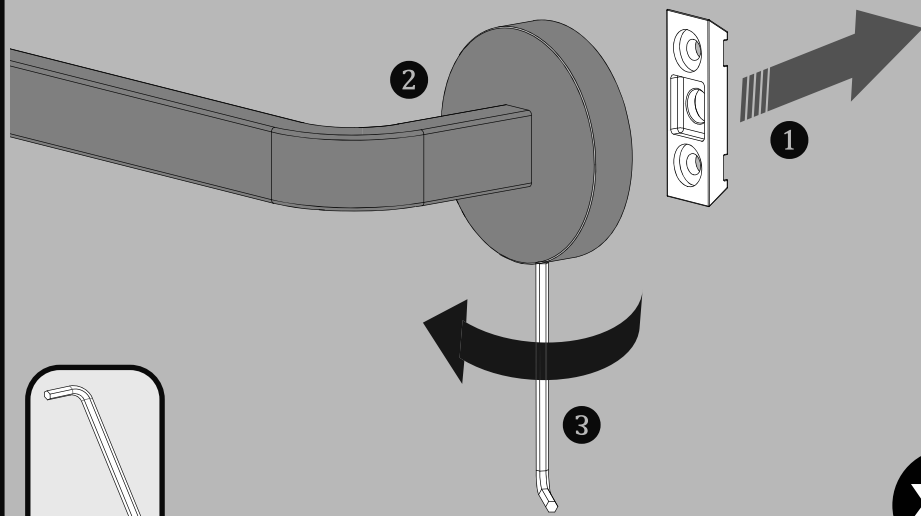
**MAINTENANCE**

Your new Speakman Product is designed for years of trouble-free performance. Keep it looking new by cleaning it periodically with a soft cloth. The use of harsh chemicals and abrasives on any of the Speakman custom finish products may damage the finish and void the product warranty. Please be sure to only use approved cleaners. Please contact Speakman for any clarification of acceptable cleaners.

**WARRANTY**

Warranty information can be found at: [www.speakman.com](http://www.speakman.com)

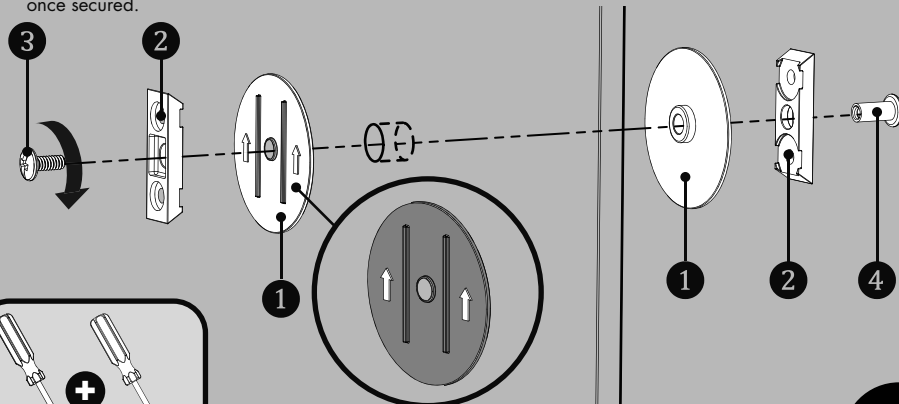
**1** If the Mounting Plate (1) comes pre-installed in the Accessory (2), remove the Mounting Plate by loosening, but not removing the pre-installed Set Screw at bottom with the included 2.5mm Hex Key (3).



**X4**

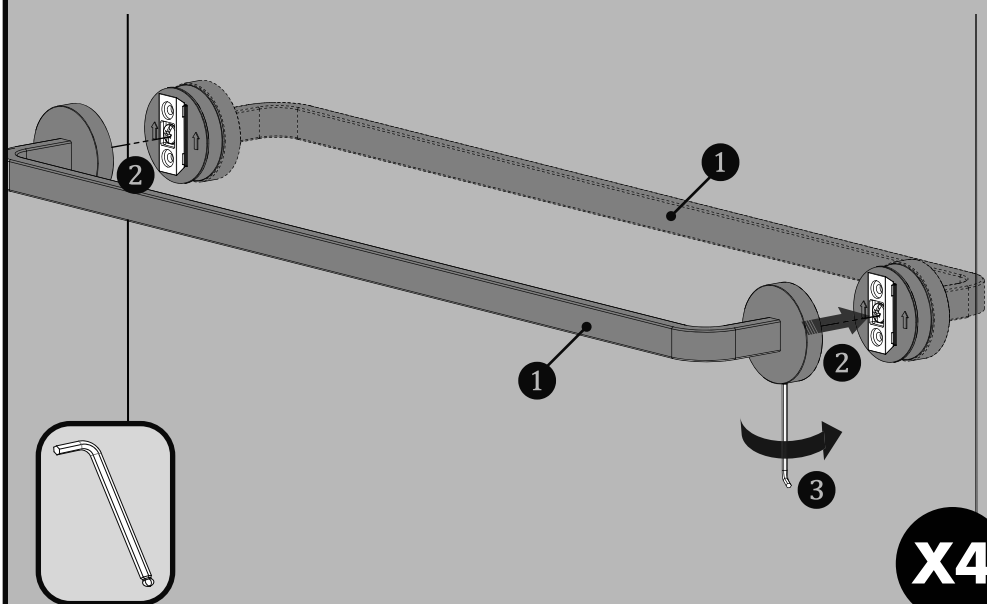
**2** Place a Clear Gasket (1) on each side of the glass door. These Gaskets should be aligned so the side with markings is facing outward, and the arrows are facing up. Place a Mounting Bracket (2) onto each Clear Gasket (1) and secure into position with Mounting Screw (3) and Barrel Nut (4).

**Note:** There are two different length Barrel Nuts included. Select the Barrel Nut that is appropriate for the thickness of your Glass Door. Verify all arrows on the Clear Gaskets (1) are perfectly vertical and facing upwards. Adjust accordingly and secure into position by tightening the Mounting Screw (3). Take care to not over tighten or damage may occur. Repeat this process for the other end mounting. Verify all Mounting Brackets (2) are perfectly vertical as well once secured.



**X2**

**3** Place Handle Assemblies (1) over Mounting Brackets (2) and secure them by tightening the respective pre-installed Set Screws with the included 2.5mm Hex Key (3). Verify that the Glass Door Handle Assemblies are properly secured by pulling/pushing them.



**X4**

